



PA-3 Power Adapter (50 Hz/Oil-Filled)

Document No. 96A0260

Issued: December 15, 1999

Rev. B: May 16, 2001

Siemens Airfield Solutions, Inc.

P.O. Box 30829
977 Gahanna Parkway
Columbus, OH 43230

Tel: (614) 861-1304
Fax: (614) 864-2069

Copyright © 2001 by Siemens Airfield Solutions, Incorporated. All rights reserved.

Siemens Airfield Solutions

*The innovative
approach*

Table of Contents

Record of Changes.....	ii
Table of Contents.....	iii
Warranties.....	v
1. Safety.....	1
Safety Symbols	1
Qualified Personnel	2
Intended Use	2
Installation	3
Operation	3
Action in the Event of a System or Component Malfunction	4
Maintenance and Repair	4
2. Description	5
Introduction	5
PA-3 Power Adapter (50 Hz): Required Equipment.....	6
PA-3 Power Adapter (50 Hz) Specifications	7
Load on CCR for Fully Loaded PA-3 Power Adapter (50 Hz)	7
PA-3 Power Adapter (50 Hz) Technical Features	7
Construction	7
Weight.....	8
Dimensions.....	8
Short Circuit Protection.....	8
Serviceability	8
3. Installation	9
Introduction	9
Unpacking.....	9
Installation	9
Method of Installation	9
Power Adapter Connectors.....	10
PA-3 Power Adapter (50 Hz) Installation on 6.6 A Series Circuit..	11
Wiring Checkout and Startup	11
4. Repair	12
Introduction	12
Disassembling PA-3 Oil-Filled Power Adapter	12
Assembling PA-3 Oil-Filled Power Adapter	13
5. Parts.....	15
Using the Illustrated Parts List.....	15
PA-3 Power Adapter (50 Hz) Part Number	16
PA-3 Power Adapter (50 Hz) Spare Parts	16
6. Wiring Schematics.....	17

List of Figures

Figure 1. Siemens Airfield Solutions PA-3 Power Adapter (50 Hz/Oiled-Filled)	5
Figure 2. PA-3 Power Adapter (50 Hz) (Top View).....	10
Figure 3. PA-3 Power Adapter (50 Hz) Spare Parts	16
Figure 4. PA-3 Power Adapter (50 Hz) Wiring Schematic for Internally Lighted Wind Cones	17

List of Tables

Table 1. Power Source/Load Capacity	6
Table 2. Required Equipment Supplied	6
Table 3. Required Equipment Not Supplied	6
Table 4. PA-3 Power Adapter (50 Hz) CCR Load	7
Table 5. PA-3 Power Adapter (50 Hz) Technical Features	7
Table 6. Environmental Conditions	7
Table 7. Weight	8
Table 8. Dimensions	8
Table 9. L-867 Can Dimensions	9
Table 10. PA-3 Power Adapter (50 Hz) Connectors	10
Table 11. PA-3 Power Adapter (50 Hz) Replacement Parts.....	12

Warranties

Products of Siemens Airfield Solutions manufacture are guaranteed against mechanical, electrical, and physical defects (excluding lamps) for a period of one year from the date of installation or a maximum of two years from the date of shipment and are guaranteed to be merchantable and fit for the ordinary purposes for which such products are made.

Siemens Airfield Solutions will correct by repair or replacement, at its option, equipment or parts which fail because of mechanical, electrical or physical defects, provided that the goods have been properly handled and stored prior to installation, properly installed and properly operated after installation, and provided further that Buyer gives Siemens Airfield Solutions written notice of such defects after delivery of the goods to Buyer.

Siemens Airfield Solutions reserves the right to examine goods upon which a claim is made. Said goods must be presented in the same condition as when the defect therein was discovered. Siemens Airfield Solutions further reserves the right to require the return of such goods to establish any claim.

Siemens Airfield Solutions's obligation under this guarantee is limited to making repair or replacement within a reasonable time after receipt of such written notice and does not include any other costs such as the cost of removal of defective part, installation of repaired product, labor or consequential damages of any kind, the exclusive remedy being to require such new parts to be furnished.

Siemens Airfield Solutions's liability under no circumstances will exceed the contract price of goods claimed to be defective. Any returns under this guarantee are to be on a transportation charges prepaid basis. For products not manufactured by, but sold by Siemens Airfield Solutions, warranty is limited to that extended by the original manufacturer.

This is Siemens Airfield Solutions's sole guarantee and warranty with respect to the goods; there are no express warranties or warranties of fitness for any particular purpose or any implied warranties of fitness for any particular purpose or any implied warranties other than those made expressly herein. All such warranties being expressly disclaimed.

Disclaimers

This manual could contain technical inaccuracies or typographical errors. Siemens Airfield Solutions reserves the right to revise this manual from time to time in the contents thereof without obligation of Siemens Airfield Solutions to notify any person of such revision or change.

Details and values given in this manual are average values and have been compiled with care. They are not binding, however, and Siemens Airfield Solutions disclaims any liability for damages or detriments suffered as a result of reliance on the information given herein or the use of products, processes or equipment to which this manual refers. No warranty is made that the use of the information or of the products, processes or equipment to which this manual refers will not infringe any third party's patents or rights. The information given does not release the buyer from making their own experiments and tests.

PA-3 Power Adapter (50 Hz/Oil-Filled)

1. Safety

This section contains general safety instructions for using your Siemens Airfield Solutions equipment. Some safety instructions may not apply to the equipment in this manual. Task- and equipment-specific warnings are included in other sections of this manual where appropriate. Note all warnings and follow all instructions carefully. Failure to do so may result in personal injury, death, or property damage.

To use this equipment safely,

- refer to the FAA Advisory Circular AC 150/5340-26, *Maintenance of Airport Visual Aids Facilities*, for instructions on safety precautions.
- observe all safety regulations. To avoid injuries, always remove power prior to making any wire connections and touching any parts. Refer to FAA Advisory Circular AC 150/5340-26.
- read and become familiar with the general safety instructions provided in this section of the manual before installing, operating, maintaining, or repairing this equipment.
- read and carefully follow the instructions given throughout this manual for performing specific tasks and working with specific equipment.
- store this manual within easy reach of personnel installing, operating, maintaining, or repairing this equipment.
- follow all applicable safety procedures required by your company, industry standards, and government or other regulatory agencies.
- obtain and read Material Safety Data Sheets (MSDS) for all materials used.

Safety Symbols

Become familiar with the safety symbols presented in this section. These symbols will alert you to safety hazards and conditions that may result in personal injury, death, or property and equipment damage.



WARNING: Failure to observe this warning may result in personal injury, death, or equipment damage.



WARNING: Risk of electrical shock. Failure to observe this warning may result in personal injury, death, or equipment damage.

Safety Symbols (contd.)

WARNING: Disconnect equipment from line voltage. Failure to observe this warning may result in personal injury, death, or equipment damage.



WARNING: Wear safety goggles. Failure to observe may result in serious injury.



CAUTION: Failure to observe may result in equipment damage.

Qualified Personnel

The term *qualified personnel* is defined here as individuals who thoroughly understand the equipment and its safe operation, maintenance, and repair. Qualified personnel are physically capable of performing the required tasks, familiar with all relevant safety rules and regulations and have been trained to safely install, operate, maintain, and repair the equipment. It is the responsibility of the company operating this equipment to see that its personnel meet these requirements.

Intended Use

WARNING: Use of this equipment in ways other than described in this manual may result in personal injury, death, or property and equipment damage. Use this equipment only as described in this manual.

Siemens Airfield Solutions cannot be responsible for injuries or damages resulting from nonstandard, unintended applications of its equipment. This equipment is designed and intended only for the purpose described in this manual. Uses not described in this manual are considered unintended uses and may result in serious personal injury, death, or property damage. Unintended uses may result from taking the following actions:

- making changes to equipment that have not been recommended or described in this manual or using parts that are not genuine Siemens Airfield Solutions replacement parts
- failing to make sure that auxiliary equipment complies with approval agency requirements, local codes, and all applicable safety standards
- using materials or auxiliary equipment that are inappropriate or incompatible with your Siemens Airfield Solutions equipment
- allowing unqualified personnel to perform any task

Installation

Read the installation section of all system component manuals before installing your equipment. A thorough understanding of system components and their requirements will help you install the system safely and efficiently.



WARNING: Failure to follow these safety procedures can result in personal injury or death.

- Allow only qualified personnel to install Siemens Airfield Solutions and auxiliary equipment. Use only approved equipment. Using unapproved equipment in an approved system may void agency approvals.
- Make sure all equipment is rated and approved for the environment in which you are using it.
- Follow all instructions for installing components and accessories.
- Install all electrical connections to local code.
- Use only electrical wire of sufficient gauge and insulation to handle the rated current demand. All wiring must meet local codes.
- Route electrical wiring along a protected path. Make sure they will not be damaged by moving equipment.
- Protect components from damage, wear, and harsh environment conditions.
- Allow ample room for maintenance, panel accessibility, and cover removal.
- Protect equipment with safety devices as specified by applicable safety regulations.
- If safety devices must be removed for installation, install them immediately after the work is completed and check them for proper functioning.

Operation

Only qualified personnel, physically capable of operating the equipment and with no impairments in their judgment or reaction times, should operate this equipment.

Read all system component manuals before operating this equipment. A thorough understanding of system components and their operation will help you operate the system safely and efficiently.

Operation *(contd.)*

- Before starting this equipment, check all safety interlocks, fire-detection systems, and protective devices such as panels and covers. Make sure all devices are fully functional. Do not operate the system if these devices are not working properly. Do not deactivate or bypass automatic safety interlocks or locked-out electrical disconnects or pneumatic valves.
- Never operate equipment with a known malfunction.
- Do not attempt to operate or service electrical equipment if standing water is present.
- Use this equipment only in the environments for which it is rated. Do not operate this equipment in humid, flammable, or explosive environments unless it has been rated for safe operation in these environments.
- Never touch exposed electrical connections on equipment while the power is ON.

Action in the Event of a System or Component Malfunction

Do not operate a system that contains malfunctioning components. If a component malfunctions, turn the system OFF immediately.

- Disconnect and lock out electrical power.
- Allow only qualified personnel to make repairs. Repair or replace the malfunctioning component according to instructions provided in its manual.

Maintenance and Repair

Allow only qualified personnel to perform maintenance, troubleshooting, and repair tasks. Only persons who are properly trained and familiar with Siemens Airfield Solutions equipment are permitted to service this equipment.

- Always use safety devices when working on this equipment.
- Follow the recommended maintenance procedures in your equipment manuals.
- Do not service or adjust any equipment unless another person trained in first aid and CPR is present.
- Connect all disconnected equipment ground cables and wires after servicing equipment. Ground all conductive equipment.
- Use only approved Siemens Airfield Solutions replacement parts. Using unapproved parts or making unapproved modifications to equipment may void agency approvals and create safety hazards.

Maintenance and Repair*(contd.)*

- Check interlock systems periodically to ensure their effectiveness.
- Do not attempt to service electrical equipment if standing water is present. Do not service electrical equipment in a high-humidity environment.
- Use tools with insulated handles when working with electrical equipment.

2. Description

See Figure 1.

Introduction

This section describes the Siemens Airfield Solutions PA-3 series-to-regulated-voltage power adapter (50 Hz/oil-filled).



Figure 1. Siemens Airfield Solutions PA-3 Power Adapter (50 Hz/Oiled-Filled)

Introduction (*contd.*)

The Siemens Airfield Solutions PA-3 power adapter (50 Hz) can be used to power the L-807 internally lighted wind cone. Refer to Table 1 for power source and load capacity.

NOTE: The Siemens Airfield Solutions power adapter is not approved for use with other manufacturers' products. Contact the Siemens Airfield Solutions sales department if it is desired to connect the PA-3 power adapter (50 Hz) to other products.

Table 1. Power Source/Load Capacity

VA Load Capacity	Power Source
120 Vac at 300 VA	5-step, 6.6 A, 50-Hz series lighting circuit

**PA-3 Power Adapter (50 Hz):
Required Equipment**

Refer to Table 2 for required equipment that is supplied. Refer to Table 3 for required equipment that is not supplied. Refer to the *Parts* section for ordering information.

Table 2. Required Equipment Supplied

Description	Quantity
PA-3 power adapter (50 Hz/oil-filled)	1
Instruction manual	1 per order

Table 3. Required Equipment Not Supplied

Description	Quantity
L-823 Primary Cable Connector Kit contains one male and one female connector	1
L-823 two-pole plug connector for connection of secondary lead	1
External circuit breaker, if required	1
Ground wire (AWG 8 minimum)	1
L-867 base, 16-in.- (40.64-cm-) diameter, with minimum height of 24 in. (50.8 cm)	1

PA-3 Power Adapter (50 Hz) Specifications

This subsection describes the specifications for the Siemens Airfield Solutions PA-3 power adapter (50 Hz).

Load on CCR for Fully Loaded PA-3 Power Adapter (50 Hz)

Refer to Table 4 for PA-3 power adapter (50 Hz) CCR load.

Table 4. PA-3 Power Adapter (50 Hz) CCR Load

Step	Load
B1	375 W
B3	590 W
B5	1140 W

PA-3 Power Adapter (50 Hz) Technical Features

Refer to Table 5. This subsection describes technical features of the PA-3 power adapter (50 Hz).

NOTE: The portion of the VA load on the CCR due to the power adapter should be no more than 50%.

Table 5. PA-3 Power Adapter (50 Hz) Technical Features

Minimum Load	Maximum Load	Load Regulation (No Load to Full Load)	Input Current Range	Output Voltage Single Phase 60 Hz	Leads	Note
25 VA	300 VA	+3% to -3%	2.72–6.7 A	120 Vac	2 primary 1 secondary	B

NOTE A: Load regulation of +10% to -5% is valid for 3-step CCR over 4.7–6.7 A.

B: Primary leads are 30 inches (76.20 cm) long. Secondary leads are 49 inches (124.46 cm) long.

Construction

The PA-3 power adapter (50 Hz) is watertight for direct earth burial, surface installation, or installation in an L-867 base (16-inch- [40.64-cm-] diameter base with a minimum height of 24 inches [50.8 cm]).

Environmental Conditions

Refer to Table 6 for environmental conditions.

Table 6. Environmental Conditions

Temperature Range	Humidity	Altitude
-55 to +55 °C (-67 to +131 °F)	0 to 100%	Sea level to 10,000 feet (3,000 m)

Weight

Refer to Table 7 for the PA-3 power adapter (50 Hz) weight.

Table 7. Weight

Weight lb	Weight kg
118	52.7208

Dimensions

Refer to Table 8 for the PA-3 power adapter (50 Hz) dimensions.

Table 8. Dimensions

Dimension	in.	cm
Diameter	10.75	27.305
Height	22.00	55.88

Short Circuit Protection

All Siemens Airfield Solutions adapters are self-protected against an output short circuit.

Serviceability

The PA-3 power adapter (50 Hz) is oil-filled and can be serviced.

NOTE: No PCB exists in the PA-3 power adapter (50 Hz/oil-filled).

3. Installation



WARNING: Allow only qualified personnel to perform the following tasks. Observe and follow the safety instructions in this document and all other related documentation.



WARNING: The power adapters are heavy. Exercise caution when lifting or moving power adapters. Use the handle, not the leads, to lift the power adapter. Failure to observe this warning may result in personal injury.

Introduction

This section describes instructions for installing the PA-3 power adapter (50 Hz/oil-filled) on series circuits. Refer to airport project plans and specifications for the specific installation instructions.

Unpacking

Unpack the carton/crate upon receipt and examine the power adapter to ensure no damage has occurred during shipment. Note any exterior damage to the carton that might lead to detection of equipment damage.

If you note any damage to any equipment, file a claim with the carrier immediately. The carrier may need to inspect the equipment.

Installation

This subsection describes installation information.

Method of Installation

The watertight PA-3 power adapter (50 Hz) assembly is satisfactory for direct earth burial or above-surface installation. Install the PA-3 upright within 15 degrees of vertical. The preferred method of installation is to install the power adapter in a deep L-867 can. Refer to Table 9 for L-867 can dimensions.

Table 9. L-867 Can Dimensions

L-867 Can Diameter Opening (Minimum) in. (cm)	L-867 Can Height in. (cm)
16 (40.64)	24 (60.96)

Power Adapter Connectors

See Figure 2. Refer to Table 10 for PA-3 power adapter (50 Hz) connectors.

Table 10. PA-3 Power Adapter (50 Hz) Connectors

Leads	Lead Plug/Receptacle	Note
One 49-inch (124.46-cm) secondary lead	Style 8 female receptacle (J2)	A
Two 30-inch (76.20-cm) primary leads	L-823 Style 2 male plug (P1) Style 9 female receptacle (J1)	
NOTE A: The largest pin hole on the Style 8 female receptacle is neutral. The neutral connection is floating but can be grounded if desired.		

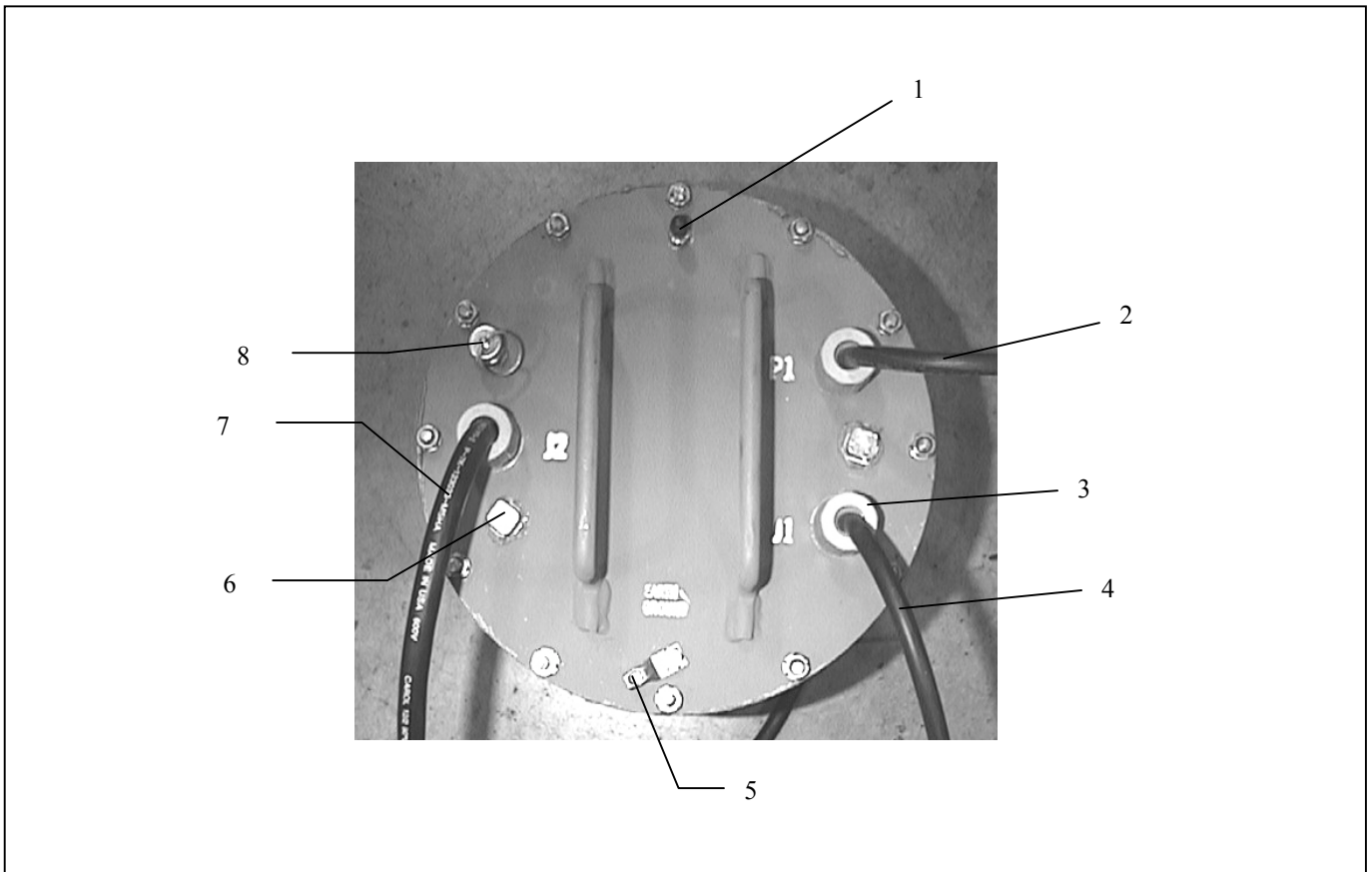


Figure 2. PA-3 Power Adapter (50 Hz) (Top View)

- 1. Air-Fill Valve
- 2. P1 Cordset
- 3. Cord Grip
- 4. J1 Cordset
- 5. Ground Lug
- 6. Oil-Fill Plug
- 7. J2 Cordset
- 8. Pressure Relief Valve

PA-3 Power Adapter (50 Hz) Installation on 6.6 A Series Circuit

WARNING: Disconnect power to the lighting circuit before attempting to make any electrical connections. Coordinate a power outage with air traffic personnel before turning off power to the airport lighting system.

To connect the PA-3 power adapter (50 Hz) to a 6.6 A series circuit, perform the following procedure:

1. If no direct interconnection is possible, cut the runway lighting circuit in accordance with proper airport installation authority regulations.

NOTE: If the power adapter is installed near a runway circuit splice such as an isolation transformer, the runway lighting circuit cable will not need to be cut.

2. Use a single-pole L-823 connector kit to terminate the cut wire ends of the series circuit. Refer to FAA Advisory Circular AC 150/5345-26.
3. Using a minimum AWG 8 wire, connect a good earth ground to the earth ground stud on the top of the power adapter.

Wiring Checkout and Startup

To verify wiring is working properly, perform the following:

- Check for proper installation and firm connections.
- Measure output voltage of power adapter on each step using a true rms voltmeter with load on the power adapter turned on.

NOTE: No actual startup procedure for the power adapter exists. The power adapter is considered to be a part of the runway lighting circuit, and has no on/off switching devices. Power is present on the output leads of the power adapter when the series lighting circuit is energized.

4. Repair



WARNING: Allow only qualified personnel to perform the following tasks. Observe and follow the safety instructions in this document and all other related documentation.



WARNING: De-energize the regulator supplying power to the circuit connected to the power adapter. Failure to observe this warning may result in personal injury, death, or equipment damage.

Introduction

This section provides procedures for repairing and servicing the PA-3 power adapter (50 Hz).

Under normal operating conditions the internal components of the oil-filled PA-3 power adapter will not require service. In the unlikely event of a component failure in the power adapter or if a fuse blows or a tap needs to be changed, the power adapter can be serviced and repaired. To access and service the components, follow the disassembling and assembling procedures in this section.

Refer to Table 11 for replacement parts for the PA-3 power adapter (50 Hz).

Table 11. PA-3 Power Adapter Replacement Parts

Description	Quantity	Part Number
Capacitor, 30 μ F	2	20A0040
Gasket (RTV)	1 10 oz caulking tube	67A0043
Insulating oil	5 gallons (approximately)	Shell Diala. Contact local Shell oil agent or phone 1-800-231-6950.

Disassembling PA-3 Oil-filled Power Adapter

To disassemble the PA-3 oil-filled power adapter, perform the following procedure:

1. Turn off the power to the circuit, and remove the power adapter from the can in the field for disassembly in a shop. Reconnect the L-823 connectors and close the can to use the series circuit, if necessary.
2. Place the power adapter upright on the floor and remove twelve hex nuts located on the perimeter of the lid of the power adapter.

NOTE: Do not lay power adapter on its side to remove hex nuts. Do not remove any other bolts or components found on the outside lid of the power adapter.

Disassembling PA-3 Oil-filled Power Adapter *(contd.)*

3. After removing the hex nuts, insert a utility knife into the blue RTV gasket material located between the lid and the can flange. Insert the knife as deep as possible to cut the gasket material. Repeat this process around the entire diameter of the can lid.
4. After cutting the gasket material, insert a flat-bladed screwdriver between the lid and the can flange and pry the lid loose. Repeat this process in four places 90 degrees apart. Use a small hammer, if necessary, to force the screwdriver under the lid.
5. Once the lid is loose, grasp the handles on the top of the lid and lift the power adapter lid that has the component plate attached out of the canister.

NOTE: The lid assembly weighs approximately 86 pounds (39.009 kg). It is recommended that two individuals do the lifting. An alternate method is to use a small overhead crane to lift the lid assembly out of the canister.

6. Place the component package on the workbench. Troubleshoot the system and make any necessary repairs.
7. After repairs, perform a systems check before installing the lid with the component package into the canister. Clean all gasket material from the lid and from the canister flange.

Assembling PA-3 Oil-filled Power Adapter

To assemble the PA-3 oil-filled power adapter, perform the following procedure:

1. Clean all gasket material from the lid and from the canister flange. Prevent gasket material from falling into the oil. Remove any RTV that has fallen into the oil.
2. Inspect the condition of the transformer oil. Oil level should be 6 inches (15.24 cm) from the top of the canister. The oil should be replaced if the oil is contaminated with water or dirt.

NOTE: Shell Diala transformer oil is used in the canister. This oil does not contain any PCBs. Dispose of used oil in accordance with local, state, and federal EPA regulations.

3. Refill with Shell Diala transformer oil only. Fill with approximately 5 gallons of oil to within 6 inches (15.24 cm) of the top of the canister.

Assembling PA-3 Oil-filled Power Adapter *(contd.)*

4. Make sure that all components are clean and free of any contaminants. Clean as necessary. If power cords or squeeze connectors have been replaced, make sure the connector is sealed around the cord. Use any quality pipe dope on the connector threads.
5. After removing all of the old gasket material, apply a 3/8-inch- (.953-cm-) diameter (minimum) bead of sealant around the entire canister flange. Locate the bead just inside the screw holes in the flange. Apply a smaller circle of sealant around each of the screw holes.
6. Position the component package over the canister. Align the holes in the lid with the studs and insert the component package into the canister.
7. Reinstall the twelve nuts and lockwashers. Apply Loctite AV or equivalent to the stud threads and then install hex nuts. Hand tighten hex nuts to secure lid to prevent RTV from being totally squeezed out. After tightening the hex nuts, wipe off the excess RTV and form a thin gasket film around the joint between the lid and the flange.



CAUTION: Do not torque hex nuts.

8. After allowing the RTV to cure for two hours, use the air-fill valve on the top of the lid to pressurize the power adapter to 12 ± 2 psi (0.828 ± 0.138 bar) and check for leaks.

NOTE: Another way to detect leaks is to submerge the canister in the upright position in a tank of water. All joints, connections, and seams can be brushed with a mixture of liquid soap and water.



CAUTION: The pressure relief valve is set for 18–22 psi (1.241–1.517 bar). Do not exceed 14 psi (.965 bar).

9. Repair leaks, if necessary.

5. Parts

To order parts, call Siemens Airfield Solutions Customer Service or your local representative. Use this five-column parts list, and the accompanying illustration, to describe and locate parts correctly.

Using the Illustrated Parts List

This subsection describes how to use the illustrated parts list covered later in this section. It does not provide the actual parts list.

The Item column numbers correspond to the numbers that identify parts in illustrations following each parts list. NS (not shown) indicates that a listed part is not illustrated.

The Description column gives the part name, as well as its dimensions and other characteristics when appropriate. Indentions show the relationships between assemblies, subassemblies, and parts.

The Part Number column gives the Siemens Airfield Solutions part number.

Item	Description	Part Number	Quantity	Note
S1	Assembly	xxxxxxx	1	A
NS	Part	xxxxxxx	1	
H1	Part or Assembly			
	Part/Assembly for option 1	xxxxxxx	2	
	Part/Assembly for option 2	xxxxxxx	2	
T1	Assembly	xxxxxxx	1	
	• Part	xxxxxxx	1	
	• Part	xxxxxxx	2	
NOTE A				

The Quantity column contains the quantity required per unit, assembly, or subassembly. The code AR (As Required) is used if the part number is a bulk item ordered in quantities or if the quantity per assembly depends on the product version or model.

The Note column contains letters that refer to notes at the end of each parts list. Notes contain special ordering or product/part version information.

**PA-3 Power Adapter (50 Hz)
Part Number**

The PA-3 power adapter (50 Hz) part number is 44B1545-1.

**PA-3 Power Adapter (50 Hz)
Spare Parts**

See Figure 3. This subsection provides spare parts for the PA-3 power adapter (50 Hz).

Item	Description	Part Number	Quantity	Note
NS	Cap, 30 μ F, 440 Vac, 10%, paper/oil	20A0040	4	
NS	Power transformer, PA-3, 300 W, 50 Hz	35A0285	1	
1	Valve, air fill	77A0091	1	
2	Cord (P1)	70B0321	1	
3	Cord grip (P1, J1)	77A0099	2	
4	Cord, female (J1)	70A0323	1	
5	Cord (J2)	70B0322	1	
6	Cord grip (J2)	77A0100	1	
7	Valve, air relief	77A0092	1	

NS: Not Shown

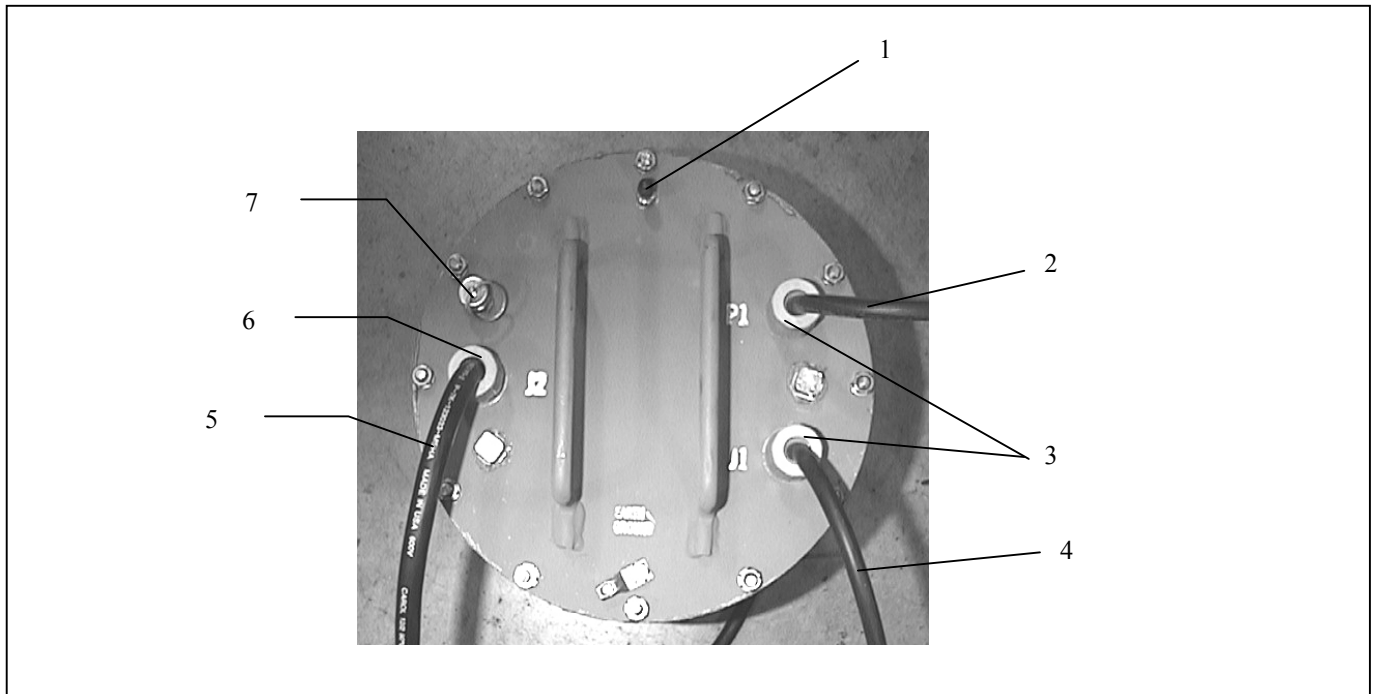


Figure 3. PA-3 Power Adapter (50 Hz) Spare Parts

6. Wiring Schematics

See Figure 4. This section provides PA-3 power adapter (50 Hz) wiring schematic for internally lighted wind cones.

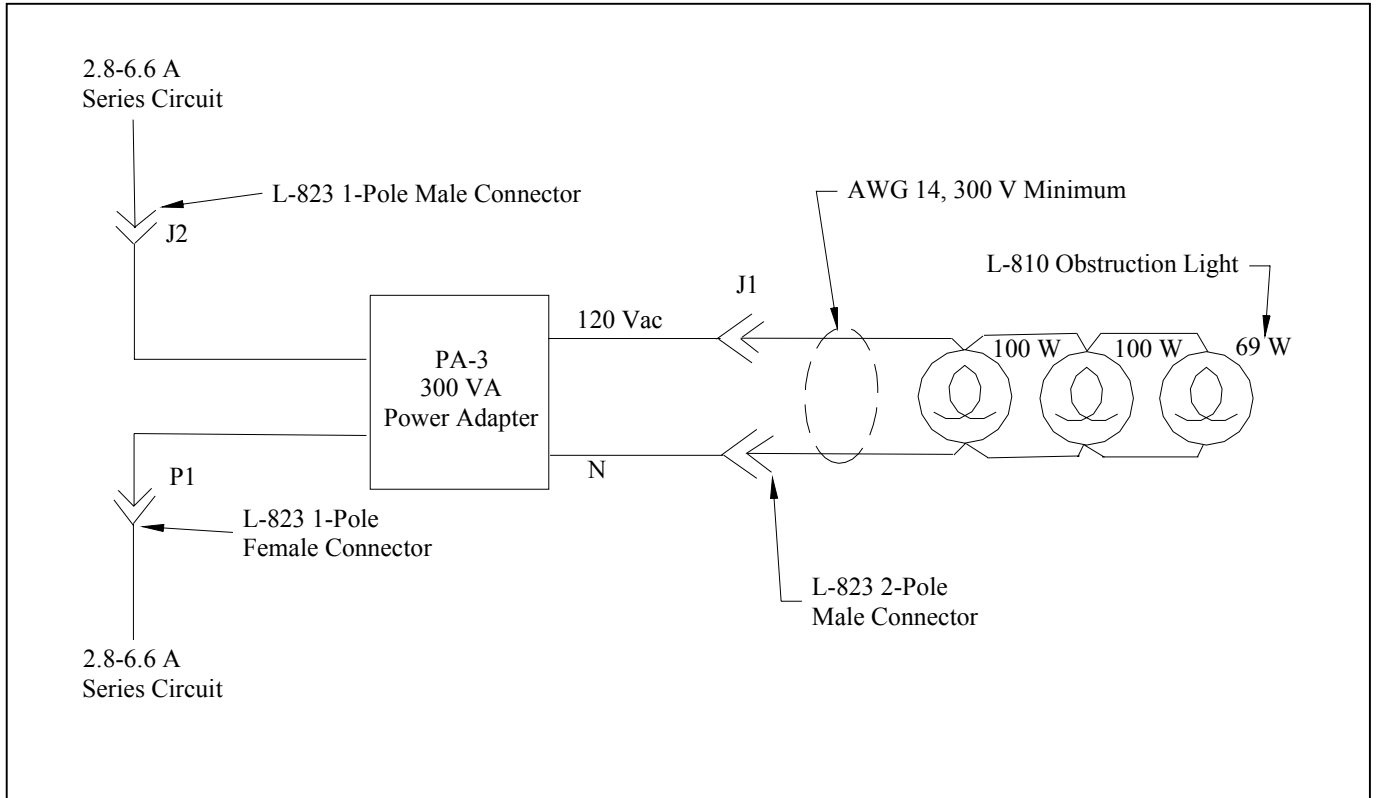


Figure 4. PA-3 Power Adapter (50 Hz) Wiring Schematic for Internally Lighted Wind Cones